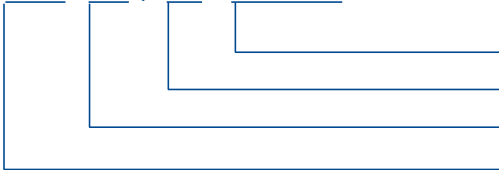


# Circulation pumps with electronically commuted motor Umwälzpumpen mit elektronisch kommutierten Motor

| TEHNIICAL FEATURES / TECHNISCHE MERKMALE |          | NMT                                                        | NMT                                                        | NMTD                                                       |
|------------------------------------------|----------|------------------------------------------------------------|------------------------------------------------------------|------------------------------------------------------------|
| Connections / Nenweite                   | DN (")   | 15, 20, 25, 32                                             | 40 to/bis 100                                              | 40 to/bis 80                                               |
| Connection type / Rohranschluss          |          | Screw Type/Gewind                                          | Flanges / Flansche                                         | Flanges / Flansche                                         |
| Flow max / Förderstrom max               | Q (m³/h) | 2,6 / 3,7 / 4,5                                            | 27 / 39 / 65 / 78                                          | 120                                                        |
| Head max / Förderhöhe                    | H (m)    | 4,0 / 6,0 / 8,0                                            | 14 / 15 / 16 / 17                                          | 13,5                                                       |
| Pressure rated / Betriebsdruck           | PN (bar) | 10                                                         | 6 / 10                                                     | 6 / 10                                                     |
| Power max / Leistungsaufnahme max        | P (W)    | 25 / 50 / 75                                               | 500 - 1600                                                 | 500 - 1600                                                 |
| Electrical voltage / Elektroanschluss    | V        | 1 ~ 230 AC                                                 | 1 ~ 230 AC                                                 | 1 ~ 230 AC                                                 |
| Degree of protection / Schutzart         | IP       | 44                                                         | 44                                                         | 44                                                         |
| Regulation / Regelung                    |          | Electronically commutated motor/<br>Permanent magnet motor | Electronically commutated motor/<br>Permanent magnet motor | Electronically commutated motor/<br>Permanent magnet motor |
| Media temperature / Temperaturbereich    | T(°C)    | +5 do +95                                                  | -10 do +110                                                | -10 do +110                                                |
| Insulating class / Isolationsklasse      |          | H                                                          | H                                                          | H                                                          |
| Casing type / Werkstoffe                 |          | GG / Cast iron                                             | GG / Cast iron                                             | GG / Cast iron                                             |
| Duble pump / Zwillingspumpe              |          | no / nein                                                  | no / nein                                                  | yes / ja                                                   |
| APPLICATIONS / EINSATZGEBIETE            |          |                                                            |                                                            |                                                            |
| Heating / Warmwasserheizungen            |          | ✓                                                          | ✓                                                          | ✓                                                          |
| Cooling / Kaltwasseranlagen              |          | ✓                                                          | ✓                                                          | ✓                                                          |
| Sanitary water / Brauchwasser            |          |                                                            |                                                            |                                                            |
| Climate appliances / Klimaanlage         |          | ✓                                                          | ✓                                                          | ✓                                                          |
| Industry / Industrieanlagen              |          | ✓                                                          | ✓                                                          | ✓                                                          |
| Process technique / Verfahrenstechnik    |          |                                                            |                                                            |                                                            |
| Condensation / Kondensat                 |          |                                                            |                                                            |                                                            |
| Salt water / Meerwasser                  |          |                                                            |                                                            |                                                            |

## Pump markings / Typenschlüssel

**NMT 25 / 60 - 130 (180)**



instalation lenght / einbaulänge  
max head / förderhöhe  
connection size / nennweite **DN**  
circulating pump / Umwälzpumpe

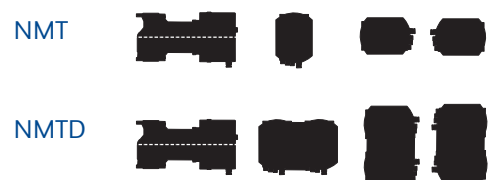
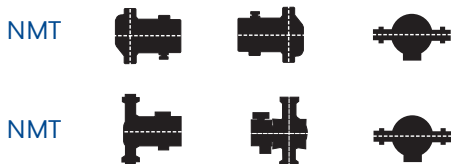
## Pump markings / Typenschlüssel

**NMT (D) 80 - 100 F**



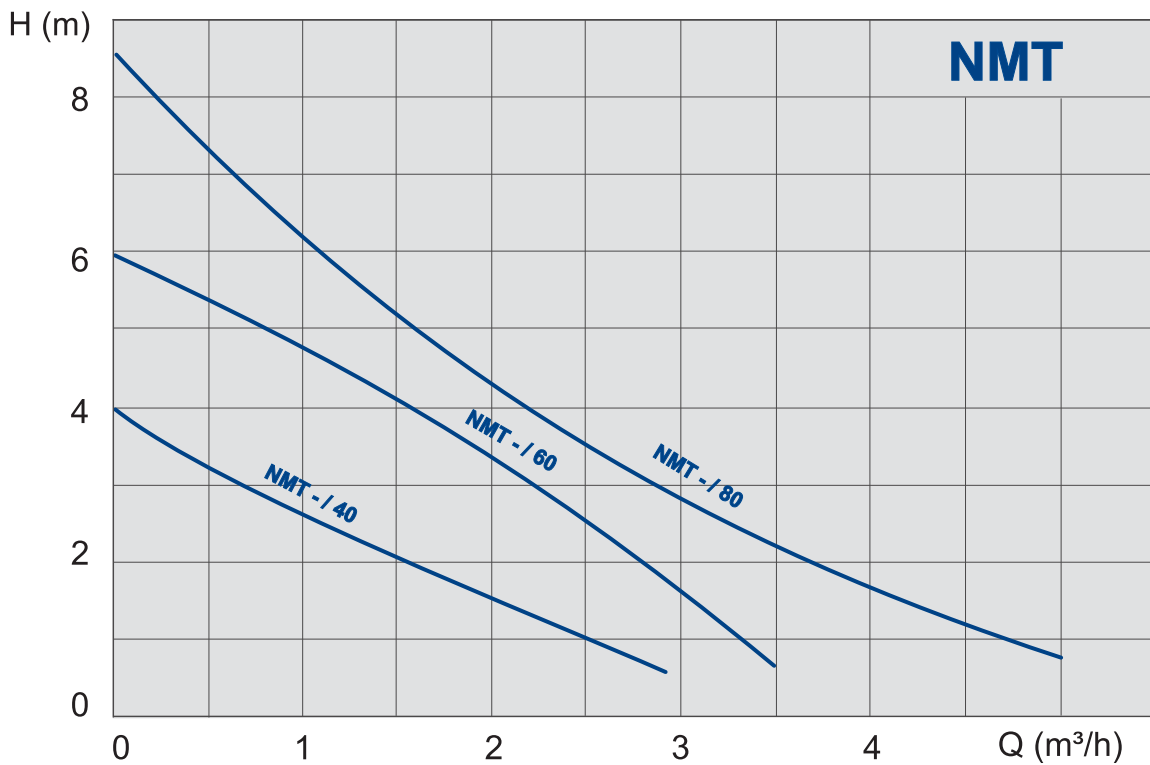
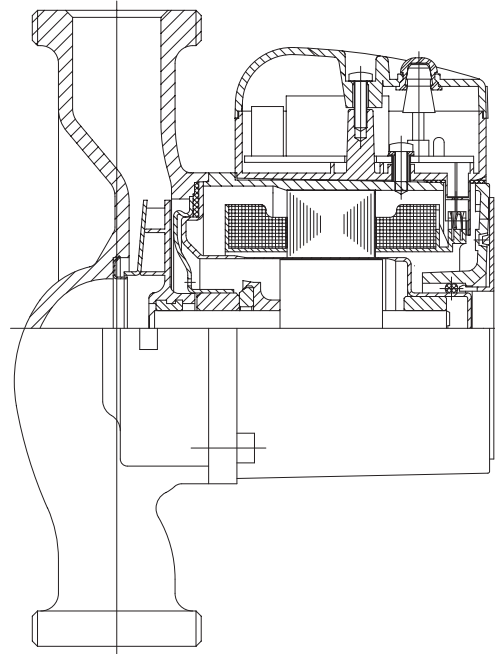
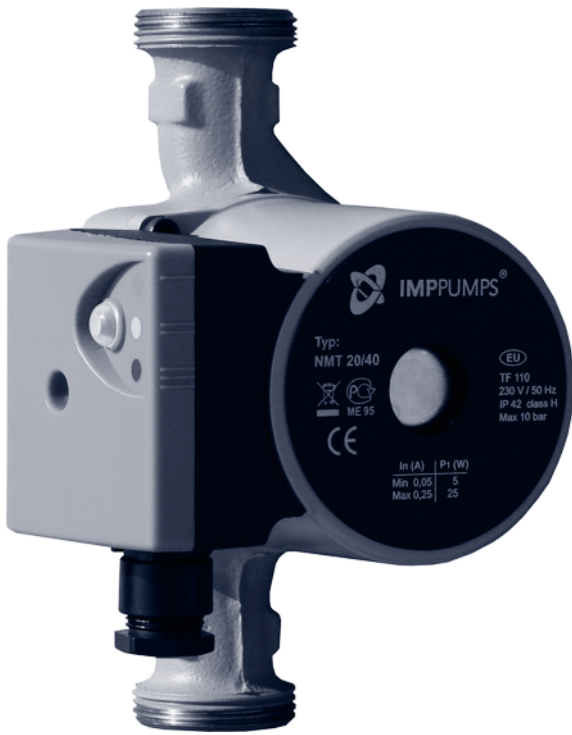
connection type - **F**lange / Rohranschluss - Flansche  
max head / förderhöhe  
connection size / nennweite **DN**  
twin pump - **D** / zwillingsbauform - **D**  
pump type / pumpentyp

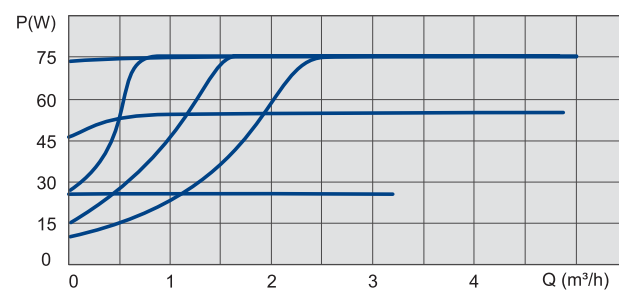
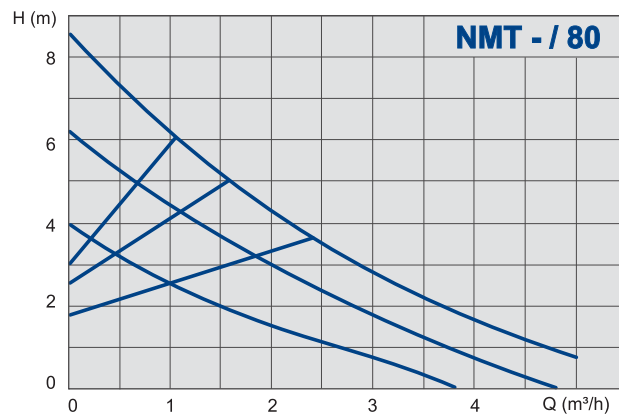
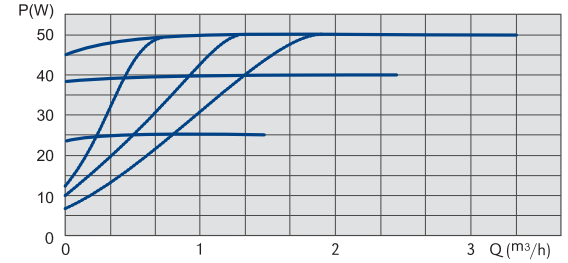
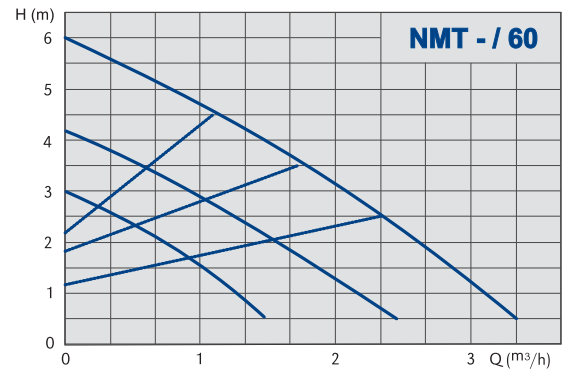
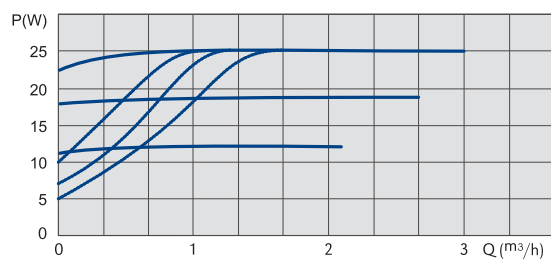
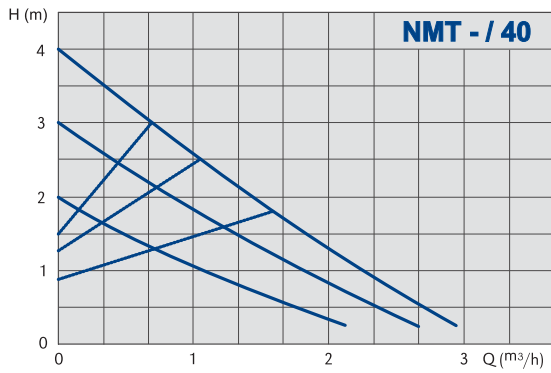
## Permitted mounting positions / Einbaumöglichkeiten



NMT

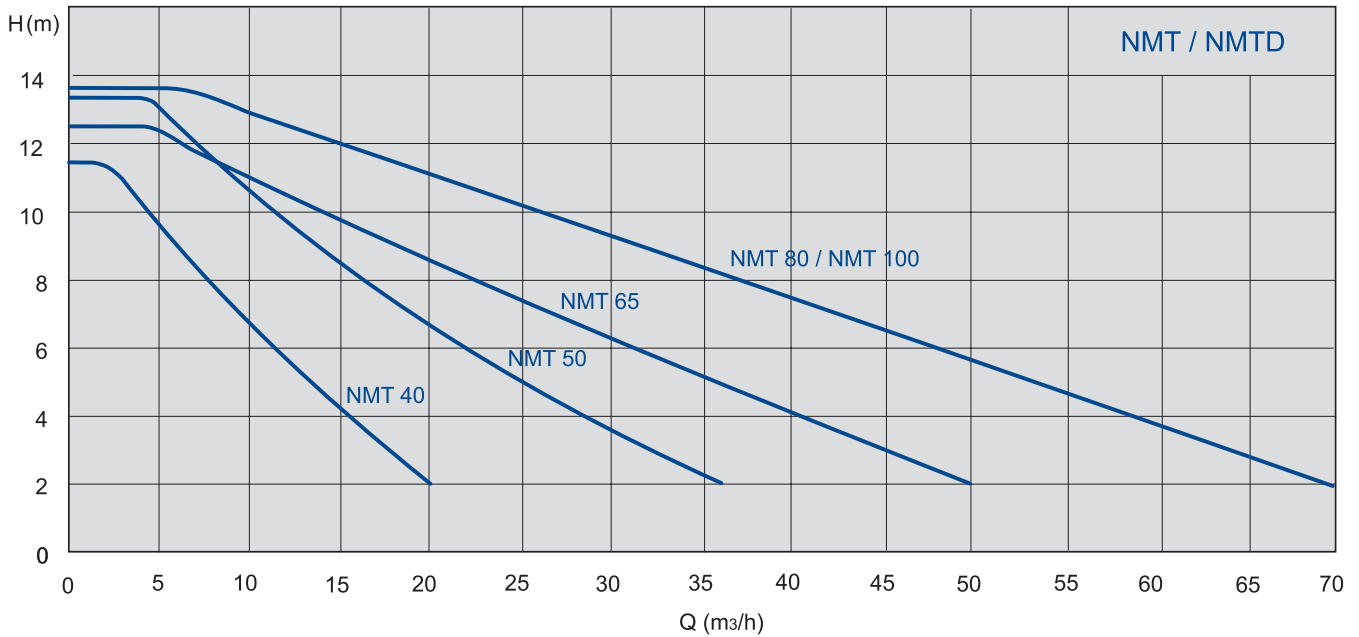
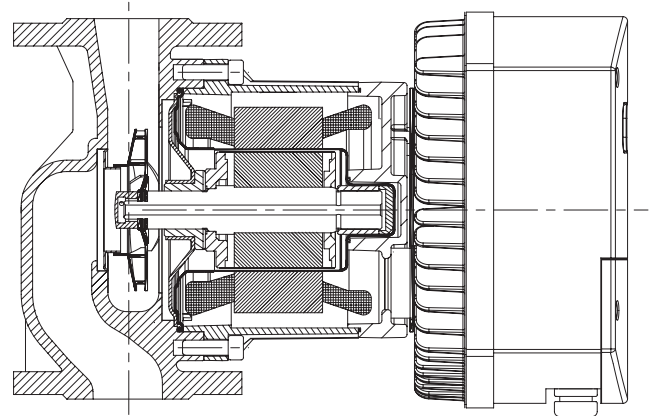
Treated circulation pumps with permanent magnet motor  
 Verschraubungsumwälzpumpen mit permanent magnet Motor

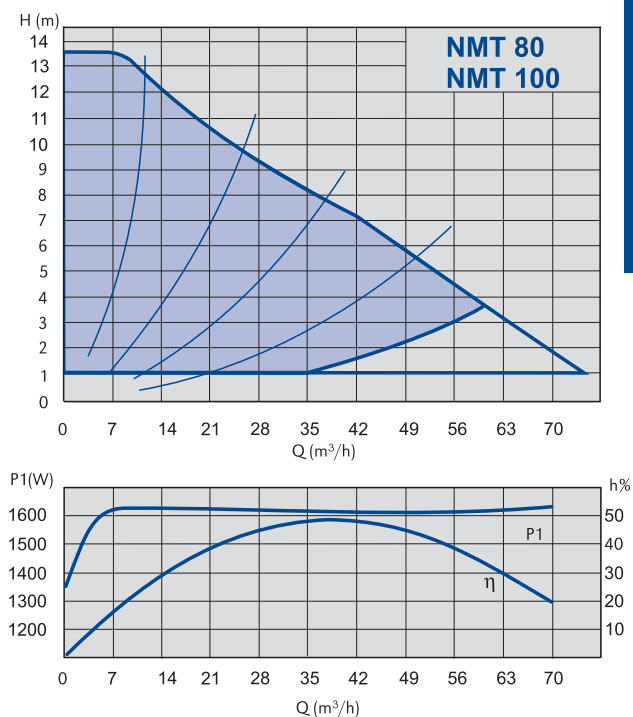
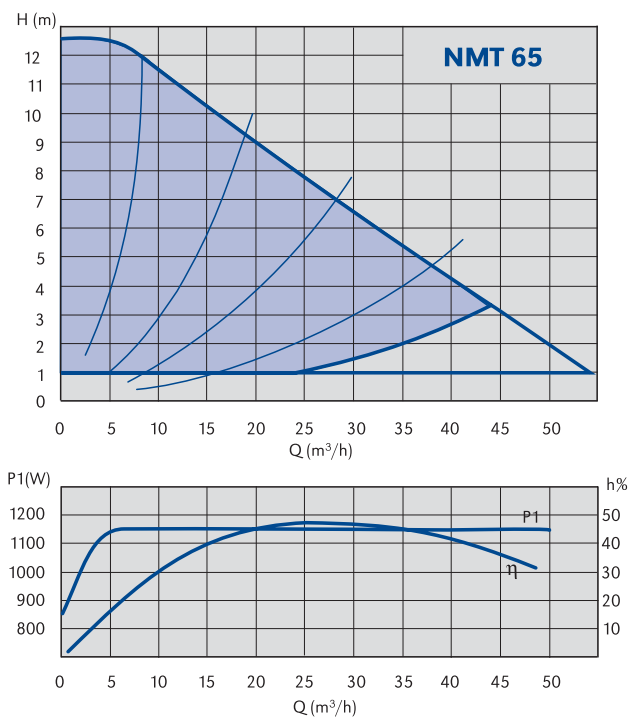
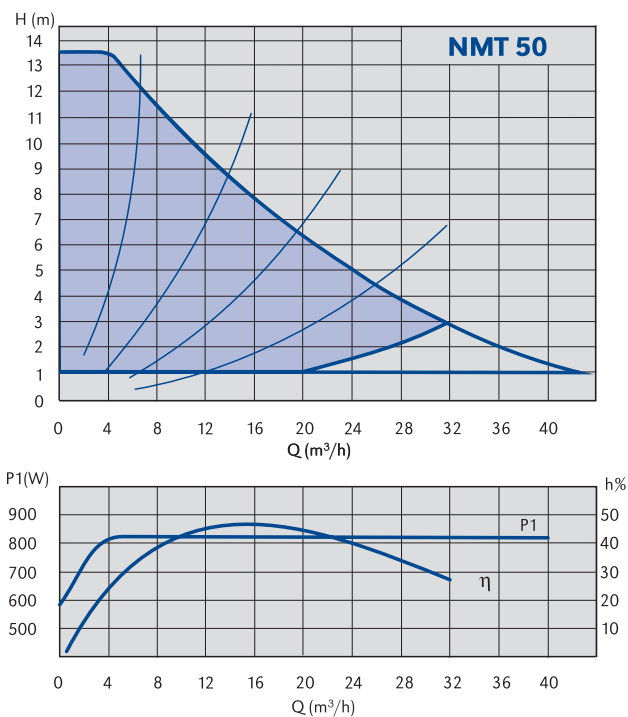
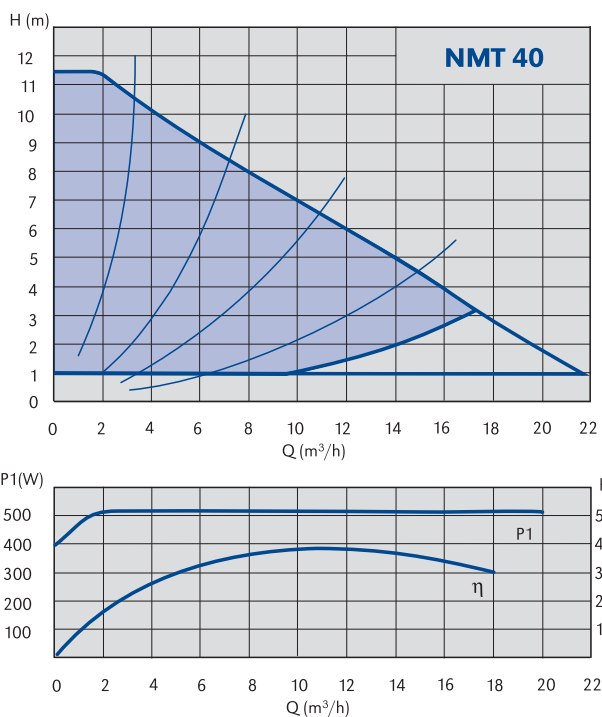


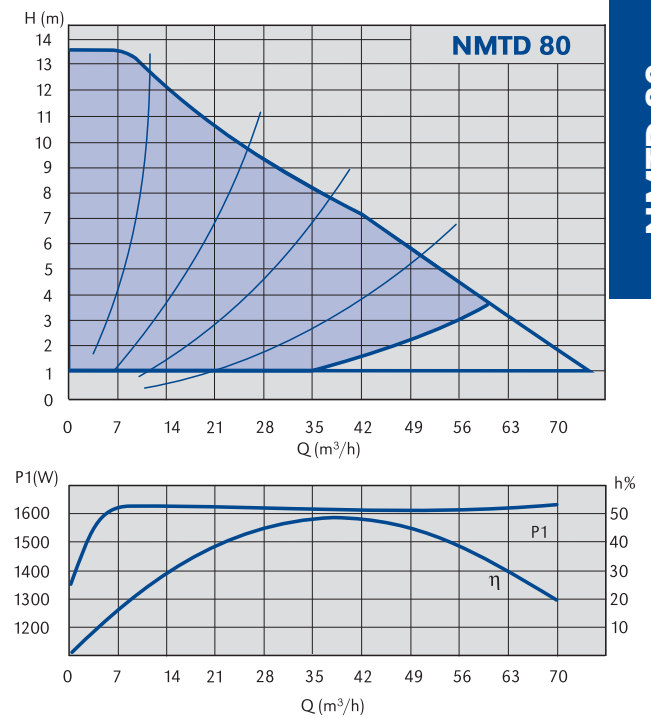
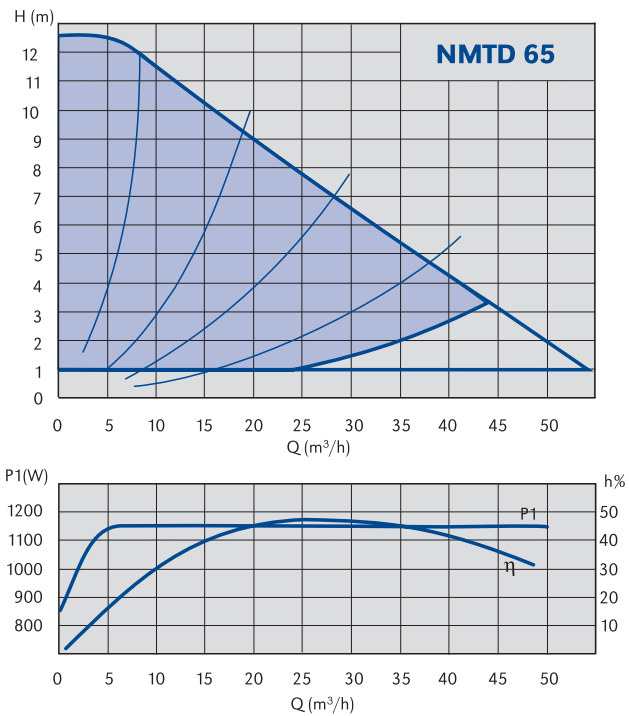
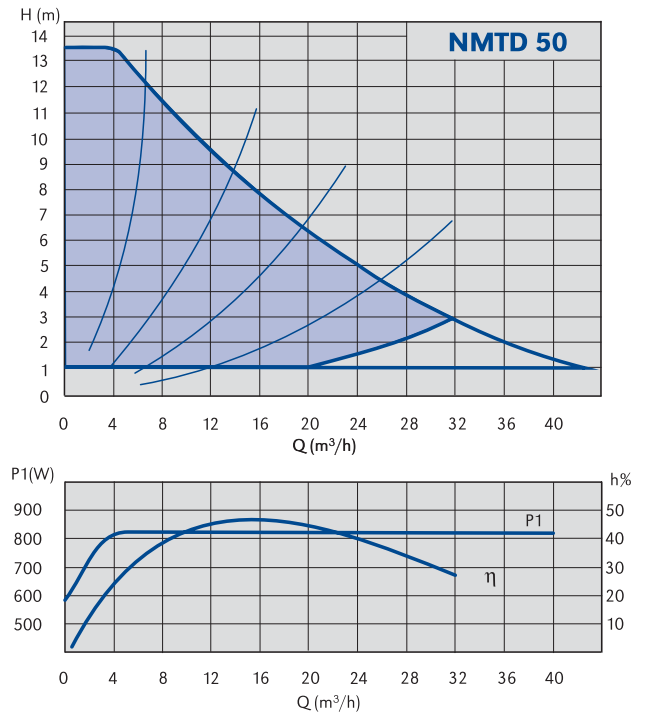
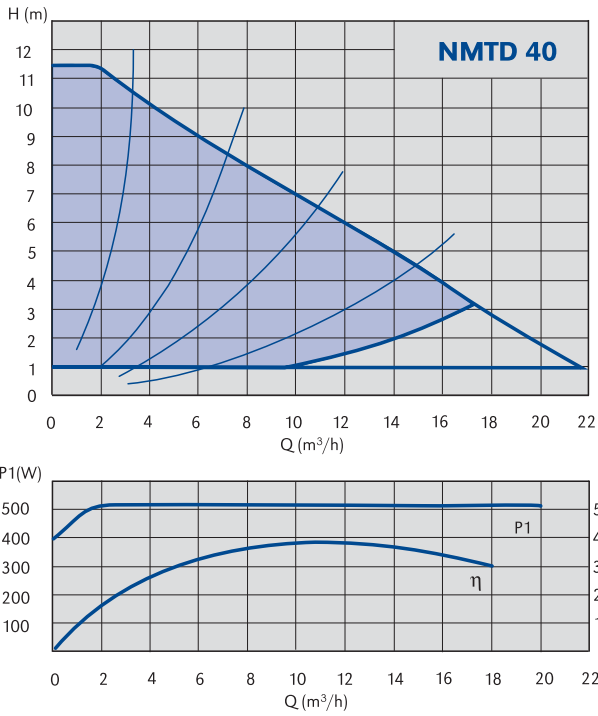


NMT

Circulation pumps with permanent magnet motor  
 Umwälzpumpen mit permanent magnet Motor







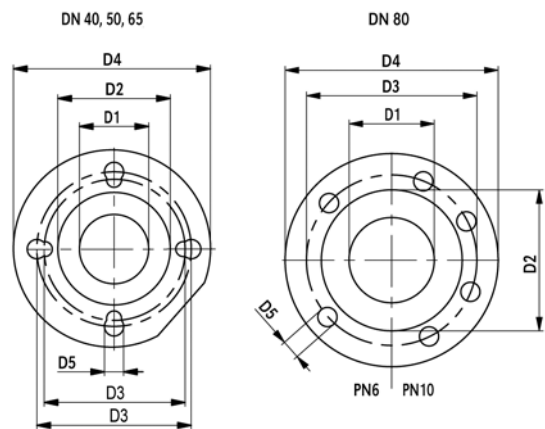
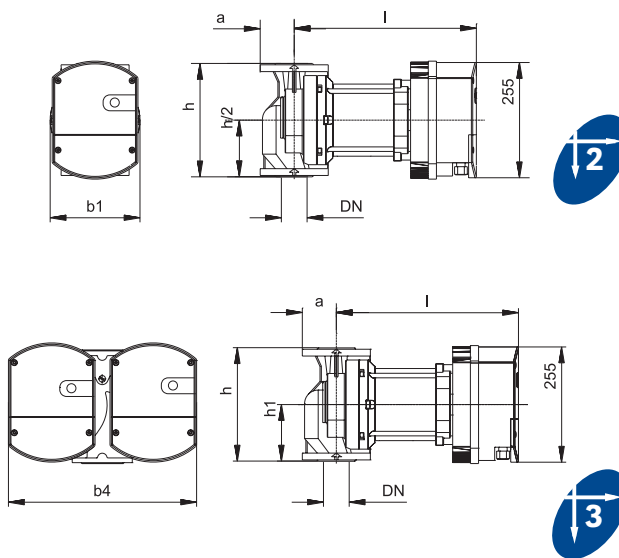
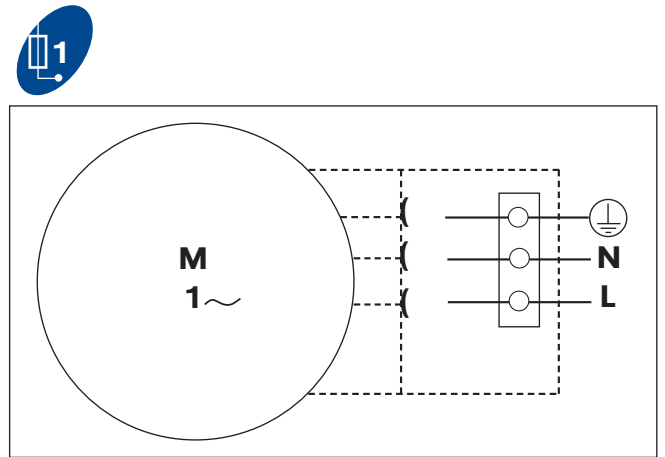
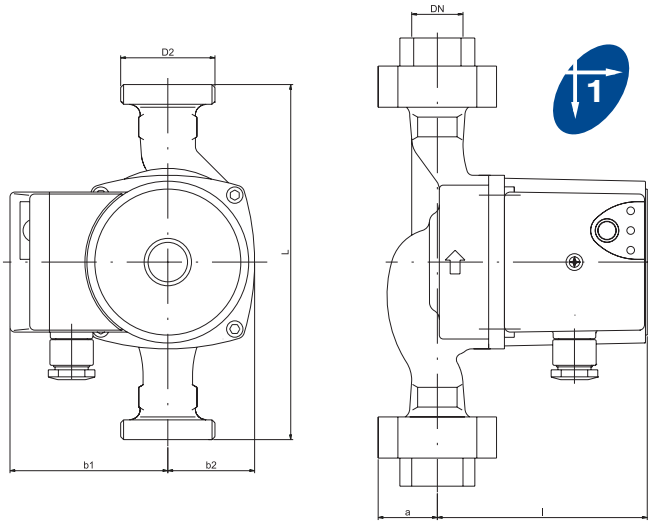
TEHNIICAL DATA / TECHNISCHE DATEN

| pump type<br>pumpentyp | code<br>artikelnummer | connection size<br>rohranschluss<br>DN (") | connection type<br>rohranschluss | max.<br>flow<br>durchfluss<br>Q (m³/h) | max.<br>head<br>Förder-<br>höhe<br>H (m) | system pressure<br>systemdruck<br>PN (bar) | min. - max.<br>media temperature<br>temp. des medius<br>Tmin-Tmax (°C) | casing type<br>werkstoffe<br>GG /<br>Cast iron | single-S<br>double-D<br>enzelne-E<br>zwillings-<br>bauform-Z | weight<br>gewicht<br>(kg) | regulation<br>geregelt<br>yes /ja<br>no /nein | degree of<br>protection<br>schutzart<br>IP |
|------------------------|-----------------------|--------------------------------------------|----------------------------------|----------------------------------------|------------------------------------------|--------------------------------------------|------------------------------------------------------------------------|------------------------------------------------|--------------------------------------------------------------|---------------------------|-----------------------------------------------|--------------------------------------------|
| NMT 15/40 - 130        | 979522028             | DN 15                                      | Screw/Gewinde                    | 2,6                                    | 4,0                                      | PN 10                                      | +5 - +95                                                               | GG/CI                                          | S / E                                                        | 1,9                       | yes/ja                                        | 44                                         |
| NMT 20/40 - 130        | 979522024             | DN 20                                      | Screw/Gewinde                    | 2,6                                    | 4,0                                      | PN 10                                      | +5 - +95                                                               | GG/CI                                          | S / E                                                        | 2,1                       | yes/ja                                        | 44                                         |
| NMT 25/40 - 130        | 979522025             | DN 25                                      | Screw/Gewinde                    | 2,6                                    | 4,0                                      | PN 10                                      | +5 - +95                                                               | GG/CI                                          | S / E                                                        | 2,1                       | yes/ja                                        | 44                                         |
| NMT 15/60 - 130        | 979522029             | DN 15                                      | Screw/Gewinde                    | 3,7                                    | 6,0                                      | PN 10                                      | +5 - +95                                                               | GG/CI                                          | S / E                                                        | 1,9                       | yes/ja                                        | 44                                         |
| NMT 20/60 - 130        | 979522026             | DN 20                                      | Screw/Gewinde                    | 3,7                                    | 6,0                                      | PN 10                                      | +5 - +95                                                               | GG/CI                                          | S / E                                                        | 2,1                       | yes/ja                                        | 44                                         |
| NMT 25/60 - 130        | 979522027             | DN 25                                      | Screw/Gewinde                    | 3,7                                    | 6,0                                      | PN 10                                      | +5 - +95                                                               | GG/CI                                          | S / E                                                        | 2,1                       | yes/ja                                        | 44                                         |
| NMT 15/80 - 130        | 979522969             | DN 15                                      | Screw/Gewinde                    | 4,5                                    | 8,0                                      | PN 10                                      | +5 - +95                                                               | GG/CI                                          | S / E                                                        | 1,9                       | yes/ja                                        | 44                                         |
| NMT 20/80 - 130        | 979522970             | DN 20                                      | Screw/Gewinde                    | 4,5                                    | 8,0                                      | PN 10                                      | +5 - +95                                                               | GG/CI                                          | S / E                                                        | 2,1                       | yes/ja                                        | 44                                         |
| NMT 25/80 - 130        | 979522971             | DN 25                                      | Screw/Gewinde                    | 4,5                                    | 8,0                                      | PN 10                                      | +5 - +95                                                               | GG/CI                                          | S / E                                                        | 2,1                       | yes/ja                                        | 44                                         |
| NMT 20/40 - 180        | 979522042             | DN 20                                      | Screw/Gewinde                    | 2,6                                    | 4,0                                      | PN 10                                      | +5 - +95                                                               | GG/CI                                          | S / E                                                        | 2,2                       | yes/ja                                        | 44                                         |
| NMT 25/40 - 180        | 979522043             | DN 25                                      | Screw/Gewinde                    | 2,6                                    | 4,0                                      | PN 10                                      | +5 - +95                                                               | GG/CI                                          | S / E                                                        | 2,3                       | yes/ja                                        | 44                                         |
| NMT 32/40 - 180        | 979522044             | DN 32                                      | Screw/Gewinde                    | 2,6                                    | 4,0                                      | PN 10                                      | +5 - +95                                                               | GG/CI                                          | S / E                                                        | 2,7                       | yes/ja                                        | 44                                         |
| NMT 20/60 - 180        | 979522046             | DN 20                                      | Screw/Gewinde                    | 3,7                                    | 6,0                                      | PN 10                                      | +5 - +95                                                               | GG/CI                                          | S / E                                                        | 2,3                       | yes/ja                                        | 44                                         |
| NMT 25/60 - 180        | 979522047             | DN 25                                      | Screw/Gewinde                    | 3,7                                    | 6,0                                      | PN 10                                      | +5 - +95                                                               | GG/CI                                          | S / E                                                        | 2,3                       | yes/ja                                        | 44                                         |
| NMT 32/60 - 180        | 979522048             | DN 32                                      | Screw/Gewinde                    | 3,7                                    | 6,0                                      | PN 10                                      | +5 - +95                                                               | GG/CI                                          | S / E                                                        | 2,7                       | yes/ja                                        | 44                                         |
| NMT 20/80 - 180        | 979522972             | DN 20                                      | Screw/Gewinde                    | 4,5                                    | 8,0                                      | PN 10                                      | +5 - +95                                                               | GG/CI                                          | S / E                                                        | 2,2                       | yes/ja                                        | 44                                         |
| NMT 25/80 - 180        | 979522973             | DN 25                                      | Screw/Gewinde                    | 4,5                                    | 8,0                                      | PN 10                                      | +5 - +95                                                               | GG/CI                                          | S / E                                                        | 2,3                       | yes/ja                                        | 44                                         |
| NMT 32/80 - 180        | 979522974             | DN 32                                      | Screw/Gewinde                    | 4,5                                    | 8,0                                      | PN 10                                      | +5 - +95                                                               | GG/CI                                          | S / E                                                        | 2,7                       | yes/ja                                        | 44                                         |
| NMT 40                 | 979522736             | DN 40                                      | Flanges/Flansche                 | 27                                     | 15                                       | PN 6/10                                    | -10 - +110                                                             | GG/CI                                          | S / E                                                        | 24                        | yes/ja                                        | 44                                         |
| NMT 50                 | 979522737             | DN 50                                      | Flanges/Flansche                 | 39                                     | 16                                       | PN 6/10                                    | -10 - +110                                                             | GG/CI                                          | S / E                                                        | 31                        | yes/ja                                        | 44                                         |
| NMT 65                 | 979522738             | DN 65                                      | Flanges/Flansche                 | 65                                     | 14,5                                     | PN 6/10                                    | -10 - +110                                                             | GG/CI                                          | S / E                                                        | 36                        | yes/ja                                        | 44                                         |
| NMT 80 PN 6            | 979522739             | DN 80                                      | Flanges/Flansche                 | 78                                     | 17                                       | PN 6                                       | -10 - +110                                                             | GG/CI                                          | S / E                                                        | 44                        | yes/ja                                        | 44                                         |
| NMT 80 PN 10           | 979522740             | DN 80                                      | Flanges/Flansche                 | 78                                     | 17                                       | PN 10                                      | -10 - +110                                                             | GG/CI                                          | S / E                                                        | 44                        | yes/ja                                        | 44                                         |
| NMT 100 PN 6           | 979522762             | DN 100                                     | Flanges/Flansche                 | 78                                     | 16                                       | PN 6                                       | -10 - +110                                                             | GG/CI                                          | S / E                                                        | 82                        | yes/ja                                        | 44                                         |
| NMT 100 PN 10          | 979522763             | DN 100                                     | Flanges/Flansche                 | 78                                     | 16                                       | PN 10                                      | -10 - +110                                                             | GG/CI                                          | S / E                                                        | 82                        | yes/ja                                        | 44                                         |
| NMTD 40                | 979522744             | DN 40                                      | Flanges/Flansche                 | 27                                     | 15                                       | PN 6/10                                    | -10 - +110                                                             | GG/CI                                          | D / Z                                                        | 47                        | yes/ja                                        | 44                                         |
| NMTD 50                | 979522745             | DN 50                                      | Flanges/Flansche                 | 39                                     | 16                                       | PN 6/10                                    | -10 - +110                                                             | GG/CI                                          | D / Z                                                        | 60                        | yes/ja                                        | 44                                         |
| NMTD 65                | 979522746             | DN 65                                      | Flanges/Flansche                 | 65                                     | 14,5                                     | PN 6/10                                    | -10 - +110                                                             | GG/CI                                          | D / Z                                                        | 63                        | yes/ja                                        | 44                                         |
| NMTD 80 PN 6           | 979522747             | DN 80                                      | Flanges/Flansche                 | 78                                     | 17                                       | PN 6                                       | -10 - +110                                                             | GG/CI                                          | D / Z                                                        | 81                        | yes/ja                                        | 44                                         |
| NMTD 80 PN 10          | 979522748             | DN 80                                      | Flanges/Flansche                 | 78                                     | 17                                       | PN 10                                      | -10 - +110                                                             | GG/CI                                          | D / Z                                                        | 81                        | yes/ja                                        | 44                                         |

DIMENSIONS / MAßE

|               | pump type<br>pumpentyp | code<br>artikelnummer | length<br>einbaulänge<br>L (mm) | DN  | b1  | b2 | b3 | b4  | l   | h   | h1  | a   | R | D1  | D2   | D3      | D4      | D5    | no.<br>hole |   |
|---------------|------------------------|-----------------------|---------------------------------|-----|-----|----|----|-----|-----|-----|-----|-----|---|-----|------|---------|---------|-------|-------------|---|
| 1             | NMT 15/40 - 130        | 979522028             | 130                             | 15  | 80  | 48 |    |     | 108 |     |     | 27  |   |     | 1"   |         |         |       |             |   |
|               | NMT 20/40 - 130        | 979522024             | 130                             | 20  | 80  | 48 |    |     | 108 |     |     | 29  |   |     | 5/4" |         |         |       |             |   |
|               | NMT 25/40 - 130        | 979522025             | 130                             | 25  | 80  | 48 |    |     | 108 |     |     | 32  |   |     | 6/4" |         |         |       |             |   |
| 2             | NMT 15/60 - 130        | 979522029             | 130                             | 15  | 80  | 48 |    |     | 108 |     |     | 27  |   |     | 1"   |         |         |       |             |   |
|               | NMT 20/60 - 130        | 979522026             | 130                             | 20  | 80  | 48 |    |     | 108 |     |     | 29  |   |     | 5/4" |         |         |       |             |   |
|               | NMT 25/60 - 130        | 979522027             | 130                             | 25  | 80  | 48 |    |     | 108 |     |     | 32  |   |     | 6/4" |         |         |       |             |   |
|               | NMT 15/80 - 130        | 979522969             | 130                             | 15  | 80  | 48 |    |     | 108 |     |     | 27  |   |     | 1"   |         |         |       |             |   |
|               | NMT 20/80 - 130        | 979522970             | 130                             | 20  | 80  | 48 |    |     | 108 |     |     | 29  |   |     | 5/4" |         |         |       |             |   |
|               | NMT 25/80 - 130        | 979522971             | 130                             | 25  | 80  | 48 |    |     | 108 |     |     | 32  |   |     | 6/4" |         |         |       |             |   |
|               | NMT 20/40 - 180        | 979522042             | 180                             | 20  | 80  | 48 |    |     | 108 |     |     | 29  |   |     | 5/4" |         |         |       |             |   |
|               | NMT 25/40 - 180        | 979522043             | 180                             | 25  | 80  | 48 |    |     | 108 |     |     | 32  |   |     | 6/4" |         |         |       |             |   |
|               | NMT 32/40 - 180        | 979522044             | 180                             | 32  | 80  | 48 |    |     | 108 |     |     | 40  |   |     | 2"   |         |         |       |             |   |
|               | NMT 20/60 - 180        | 979522046             | 180                             | 20  | 80  | 48 |    |     | 108 |     |     | 29  |   |     | 5/4" |         |         |       |             |   |
| 3             | NMT 25/60 - 180        | 979522047             | 180                             | 25  | 80  | 48 |    |     | 108 |     |     | 32  |   |     | 6/4" |         |         |       |             |   |
|               | NMT 32/60 - 180        | 979522048             | 180                             | 32  | 80  | 48 |    |     | 108 |     |     | 40  |   |     | 2"   |         |         |       |             |   |
|               | NMT 20/80 - 180        | 979522972             | 180                             | 20  | 80  | 48 |    |     | 108 |     |     | 29  |   |     | 5/4" |         |         |       |             |   |
|               | NMT 25/80 - 180        | 979522973             | 180                             | 25  | 80  | 48 |    |     | 108 |     |     | 32  |   |     | 6/4" |         |         |       |             |   |
|               | NMT 32/80 - 180        | 979522974             | 180                             | 32  | 80  | 48 |    |     | 108 |     |     | 40  |   |     | 2"   |         |         |       |             |   |
|               | NMT 40                 | 979522736             | 250                             | 40  | 189 |    |    |     | 321 | 250 |     | 65  |   |     | 40   | 80      | 100/110 | 150   | 14/19       | 4 |
|               | NMT 50                 | 979522737             | 280                             | 50  | 189 |    |    |     | 355 | 280 |     | 70  |   |     | 50   | 90      | 110/125 | 165   | 14/19       | 4 |
|               | NMT 65                 | 979522738             | 340                             | 65  | 189 |    |    |     | 369 | 340 |     | 80  |   |     | 65   | 110     | 130/145 | 185   | 14/19       | 4 |
|               | NMT 80 PN 6            | 979522739             | 360                             | 80  | 189 |    |    |     | 403 | 360 |     | 100 |   |     | 80   | 128     | 150     | 200   | 19          | 4 |
|               | NMT 80 PN 10           | 979522740             | 360                             | 80  | 189 |    |    |     | 403 | 360 |     | 100 |   |     | 80   | 128     | 160     | 200   | 19          | 8 |
| NMT 100 PN 6  | 979522762              | 360                   | 80                              | 189 |     |    |    | 403 | 360 | 146 | 110 |     |   | 100 |      | 170     | 220     | 19    | 4           |   |
| NMT 100 PN 10 | 979522763              | 360                   | 80                              | 189 |     |    |    | 403 | 360 | 146 | 110 |     |   | 100 |      | 180     | 220     | 19    | 8           |   |
| NMTD 40       | 979522744              | 250                   | 40                              | 189 |     |    |    | 403 | 321 | 250 | 110 | 65  |   | 40  | 80   | 100/110 | 150     | 14/19 | 4           |   |
| NMTD 50       | 979522745              | 280                   | 50                              | 189 |     |    |    | 403 | 355 | 280 | 121 | 70  |   | 50  | 90   | 110/125 | 165     | 14/19 | 4           |   |
| NMTD 65       | 979522746              | 340                   | 65                              | 189 |     |    |    | 452 | 369 | 340 | 141 | 80  |   | 65  | 110  | 130/145 | 185     | 14/19 | 4           |   |
| NMTD 80 PN 6  | 979522747              | 360                   | 80                              | 189 |     |    |    | 462 | 403 | 360 | 146 | 100 |   | 80  | 128  | 150     | 200     | 19    | 4           |   |
| NMTD 80 PN 10 | 979522748              | 360                   | 80                              | 189 |     |    |    | 462 | 403 | 360 | 146 | 100 |   | 80  | 128  | 160     | 200     | 19    | 8           |   |







| ELECTRICAL DATA / ELEKTRISCHE DATEN |                       |                                          |                                         |                                          |                                                 |                                      | MIN WORKING PRESSURE (bar)<br>MIN ZÜLASSIGER BETRIEBSDRUCK |      |       |
|-------------------------------------|-----------------------|------------------------------------------|-----------------------------------------|------------------------------------------|-------------------------------------------------|--------------------------------------|------------------------------------------------------------|------|-------|
| pump type<br>pumpentyp              | code<br>artikelnummer | power max.<br>leistungsaufnahme<br>P (W) | speed range<br>drehzahlstufe<br>(min-1) | FLC I<br>nennstrom<br>I <sub>n</sub> (A) | electrical voltage<br>elektroanschluss<br>I (V) | insulating class<br>isolationsklasse | temperature / temperatur                                   |      |       |
|                                     |                       |                                          |                                         |                                          |                                                 |                                      | 50°C                                                       | 80°C | 110°C |
| NMT 15/40 - 130                     | 979522028             | 25                                       | 2650                                    | 0,05 - 0,2                               | 1 ~ 230 AC                                      | H                                    | 0,05                                                       | 0,4  | 1,1   |
| NMT 20/40 - 130                     | 979522024             | 25                                       | 2650                                    | 0,05 - 0,2                               | 1 ~ 230 AC                                      | H                                    | 0,05                                                       | 0,4  | 1,1   |
| NMT 25/40 - 130                     | 979522025             | 25                                       | 2650                                    | 0,05 - 0,2                               | 1 ~ 230 AC                                      | H                                    | 0,05                                                       | 0,4  | 1,1   |
| NMT 15/60 - 130                     | 979522029             | 50                                       | 3250                                    | 0,05 - 0,4                               | 1 ~ 230 AC                                      | H                                    | 0,05                                                       | 0,4  | 1,1   |
| NMT 20/60 - 130                     | 979522026             | 50                                       | 3250                                    | 0,05 - 0,4                               | 1 ~ 230 AC                                      | H                                    | 0,05                                                       | 0,4  | 1,1   |
| NMT 25/60 - 130                     | 979522027             | 50                                       | 3250                                    | 0,05 - 0,4                               | 1 ~ 230 AC                                      | H                                    | 0,05                                                       | 0,4  | 1,1   |
| NMT 15/80 - 130                     | 979522969             | 75                                       | 3940                                    | 0,05 - 0,6                               | 1 ~ 230 AC                                      | H                                    | 0,05                                                       | 0,4  | 1,1   |
| NMT 20/80 - 130                     | 979522970             | 75                                       | 3940                                    | 0,05 - 0,6                               | 1 ~ 230 AC                                      | H                                    | 0,05                                                       | 0,4  | 1,1   |
| NMT 25/80 - 130                     | 979522971             | 75                                       | 3940                                    | 0,05 - 0,6                               | 1 ~ 230 AC                                      | H                                    | 0,05                                                       | 0,4  | 1,1   |
| NMT 20/40 - 180                     | 979522042             | 25                                       | 2650                                    | 0,05 - 0,2                               | 1 ~ 230 AC                                      | H                                    | 0,05                                                       | 0,4  | 1,1   |
| NMT 25/40 - 180                     | 979522043             | 25                                       | 2650                                    | 0,05 - 0,2                               | 1 ~ 230 AC                                      | H                                    | 0,05                                                       | 0,4  | 1,1   |
| NMT 32/40 - 180                     | 979522044             | 25                                       | 2650                                    | 0,05 - 0,2                               | 1 ~ 230 AC                                      | H                                    | 0,05                                                       | 0,4  | 1,1   |
| NMT 20/60 - 180                     | 979522046             | 50                                       | 3250                                    | 0,05 - 0,4                               | 1 ~ 230 AC                                      | H                                    | 0,05                                                       | 0,4  | 1,1   |
| NMT 25/60 - 180                     | 979522047             | 50                                       | 3250                                    | 0,05 - 0,4                               | 1 ~ 230 AC                                      | H                                    | 0,05                                                       | 0,4  | 1,1   |
| NMT 32/60 - 180                     | 979522048             | 50                                       | 3250                                    | 0,05 - 0,4                               | 1 ~ 230 AC                                      | H                                    | 0,05                                                       | 0,4  | 1,1   |
| NMT 20/80 - 180                     | 979522972             | 75                                       | 3940                                    | 0,05 - 0,6                               | 1 ~ 230 AC                                      | H                                    | 0,05                                                       | 0,4  | 1,1   |
| NMT 25/80 - 180                     | 979522973             | 75                                       | 3940                                    | 0,05 - 0,6                               | 1 ~ 230 AC                                      | H                                    | 0,05                                                       | 0,4  | 1,1   |
| NMT 32/80 - 180                     | 979522974             | 75                                       | 3940                                    | 0,05 - 0,6                               | 1 ~ 230 AC                                      | H                                    | 0,05                                                       | 0,4  | 1,1   |
| NMT 40                              | 979522736             | 500                                      | 3400                                    | 2,2                                      | 1 ~ 230 AC                                      | H                                    | 0,05                                                       | 0,8  | 1,4   |
| NMT 50                              | 979522737             | 800                                      | 3400                                    | 3,5                                      | 1 ~ 230 AC                                      | H                                    | 0,3                                                        | 1    | 1,6   |
| NMT 65                              | 979522738             | 1100                                     | 3400                                    | 4,8                                      | 1 ~ 230 AC                                      | H                                    | 0,3                                                        | 1    | 1,6   |
| NMT 80 PN 6                         | 979522739             | 1600                                     | 3400                                    | 6,9                                      | 1 ~ 230 AC                                      | H                                    | 0,3                                                        | 1    | 1,6   |
| NMT 80 PN 10                        | 979522740             | 1600                                     | 3400                                    | 6,9                                      | 1 ~ 230 AC                                      | H                                    | 0,3                                                        | 1    | 1,6   |
| NMT 100 PN 6                        | 979522762             | 1600                                     | 3400                                    | 6,9                                      | 1 ~ 230 AC                                      | H                                    | 0,3                                                        | 1    | 1,6   |
| NMT 100 PN 10                       | 979522763             | 1600                                     | 3400                                    | 6,9                                      | 1 ~ 230 AC                                      | H                                    | 0,3                                                        | 1    | 1,6   |
| NMTD 40                             | 979522744             | 500                                      | 3400                                    | 2,2                                      | 1 ~ 230 AC                                      | H                                    | 0,05                                                       | 0,8  | 1,4   |
| NMTD 50                             | 979522745             | 800                                      | 3400                                    | 3,5                                      | 1 ~ 230 AC                                      | H                                    | 0,3                                                        | 1    | 1,6   |
| NMTD 65                             | 979522746             | 1100                                     | 3400                                    | 4,8                                      | 1 ~ 230 AC                                      | H                                    | 0,3                                                        | 1    | 1,6   |
| NMTD 80 PN 6                        | 979522747             | 1600                                     | 3400                                    | 6,9                                      | 1 ~ 230 AC                                      | H                                    | 0,3                                                        | 1    | 1,6   |
| NMTD 80 PN 10                       | 979522748             | 1600                                     | 3400                                    | 6,9                                      | 1 ~ 230 AC                                      | H                                    | 0,3                                                        | 1    | 1,6   |